



ATTENTION:

CHANGE TO NEC CODE – TEMPORARY POWER SOURCE

507.333.3990 | TRYSTAR.COM

Trystar® Generator Docking Stations quickly and safely connect a portable energy source to any business or public building, protecting you from an expensive and potentially dangerous power outage. Built with the installing electrical contractor in mind, our unique design helps prevent theft and hazardous disconnects.

READ THE EXCERPT BELOW TO LEARN HOW RECENT CHANGES TO THE NEC CODE MAY AFFECT YOUR BUSINESS, AND LEARN HOW WE CAN HELP.

CODE LANGUAGE: 700.3 TESTS AND MAINTENANCE

(F) TEMPORARY SOURCE OF POWER FOR MAINTENANCE OR REPAIR OF THE ALTERNATE SOURCE OF POWER.

If the emergency system relies on a single alternate source of power, which will be disabled for maintenance or repair, the emergency system shall include permanent switching means to connect a portable or temporary alternate source of power, which shall be available for the duration of the maintenance or repair. The permanent switching means to connect a portable or temporary alternate source of power shall comply with the following:

1. Connection to the portable or temporary alternate source of power shall not require modification of the permanent system wiring.
2. Transfer of power between the normal power source and the emergency power source shall be in accordance with 700.12.
3. The connection point for the portable or temporary alternate source shall be marked with the phase rotation and system bonding requirements.
4. Mechanical or electrical interlocking shall prevent inadvertent interconnection of power sources.
5. The switching means shall include a contact point that shall annunciate at a location remote from the generator or at another facility monitoring system to indicate that the permanent emergency source is disconnected from the emergency system.

It shall be permissible to utilize manual switching to switch from the permanent source of power to the portable or temporary alternate source of power and to utilize the switching means for connection of a load bank.

Informational Note: There are many possible methods to achieve the requirements of 700.3(F). See Figure 700.3(F) for one example.



700.3(F)

TEMPORARY SOURCE OF POWER FOR MAINTENANCE OR REPAIR OF THE ALTERNATE SOURCE OF POWER

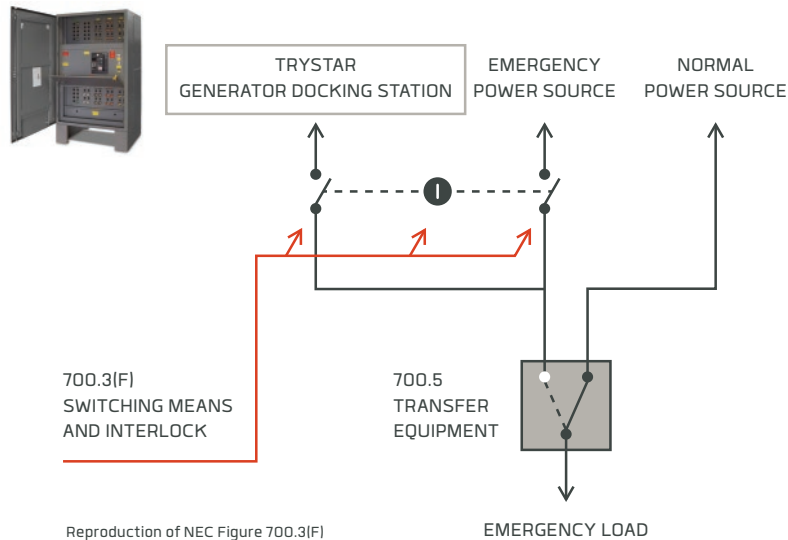


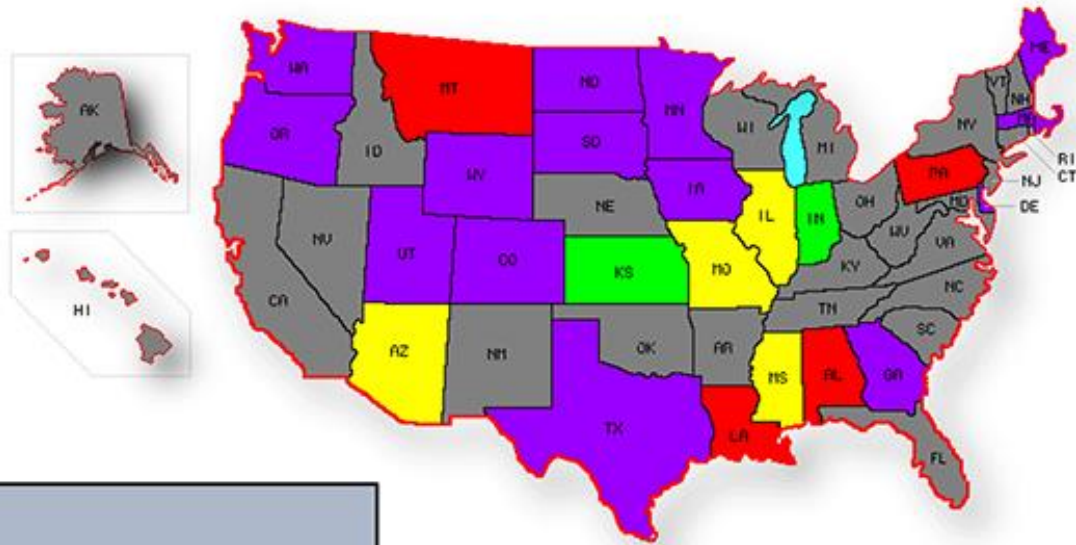
Figure 700.3(F) (See NEC and illustration provided at this change for complete figure)
 Exception: The permanent switching means to connect a portable or temporary alternate source of power, for the duration of the maintenance or repair, shall not be required where any of the following conditions exists:

1. All processes that rely on the emergency system source are capable of being disabled during maintenance or repair of the emergency source of power.
2. The building or structure is unoccupied and fire suppression systems are fully functional and do not require an alternate power source.
3. Other temporary means can be substituted for the emergency system.
4. A permanent alternate emergency source, such as, but not limited to, a second on-site standby generator or separate electric utility service connection, capable of supporting the emergency system, exists.

The requirement of article 700 EMERGENCY SYSTEM applies to buildings such as: Hospitals and healthcare facilities, public safety communications, places of large assembly (including hotels, theaters, sports arenas, etc.) and industrial processes where the interruption of power would create serious health hazards.

FOR ASSISTANCE, OR TO OBTAIN DRAWINGS OR ELECTRICAL ONE-LINES PLEASE CONTACT TRYSTAR AT 507-333-3990, OR EMAIL US AT INFO@TRYSTAR.COM

NEC® in Effect 1/1/2022



2020 NEC® - 14
2017 NEC® - 26
2014 NEC® - 4
2008 NEC® - 2
County/Municipality NEC® regulation only - 4

Source: dymips.net (c)