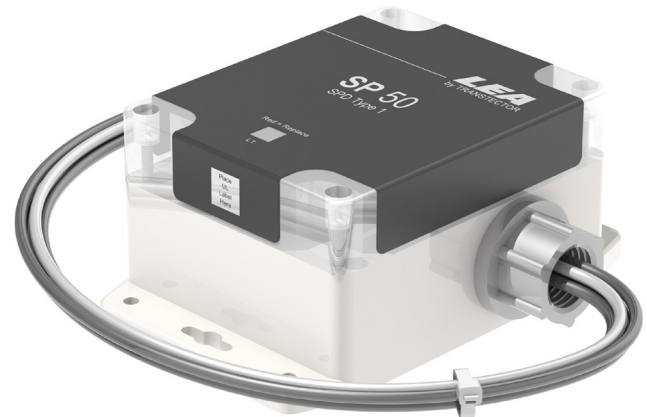


## AC SURGE PROTECTION DEVICE

# SP 50 SERIES

## Type 1 Indoor / Outdoor Protector

The SP 50 Series provides reliable AC surge protection in a compact unit. LEA by Transtector offers a full range of nominal operating voltages from 120 Vac to 600 Vac to address global AC surge protection requirements. Thermally coordinated MOV technology provides robust, reliable, protection for sensitive loads, while the innovative design enables quick installation either upstream or downstream of the main disconnect without additional overcurrent protection.



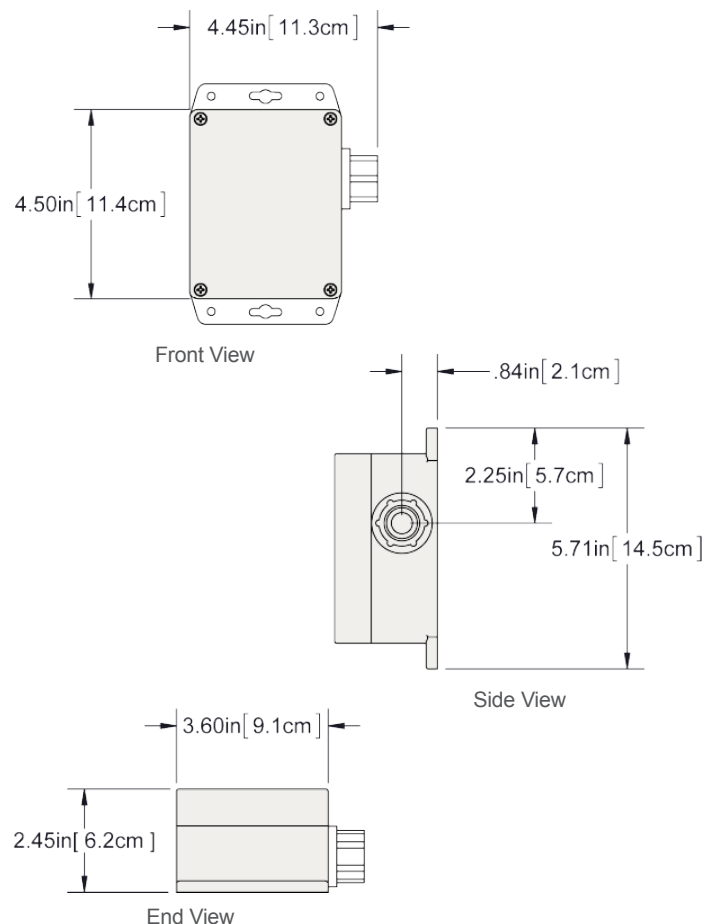
SP 50 Series

### FEATURES

- LED status indication
- Economical AC surge protection
- Thermally protected MOV technology
- 120 Vac to 600 Vac configurations
- No external overcurrent protection (fuses) required
- Compact design and rugged construction
- Quick installation for indoor and outdoor use

### STANDARDS

- UL 1449 4th Edition, Listed
- UL 96A (for 20 kA models)
- ANSI/IEEE C62.41, C62.45
- Type 1 US and Type 2 Canada Listed
- NEMA 4X
- RoHS
- NEC 100/285



## SPECIFICATIONS

Part Number	SP50-1201P	SP50-240SP	SP50-2401P	SP50-1203Y	SP50-4803Y	SP50-6003Y	SP50-2403D	SP50-4803D
<b>Performance</b>								
Nominal Operating Voltage (Un)	120 Vac	120/240 Vac	240 Vac	120/208 Vac	277/480 Vac	347/600 Vac	240 Vac	480 Vac
System Type	Single Phase	Split Phase	Single Phase	3 Phase Wye	3 Phase Wye	3 Phase Wye	3 Phase Delta	3 Phase Delta
Nominal Discharge Surge Current (In)	20 kA (8/20 $\mu$ s)	20 kA (8/20 $\mu$ s)	20 kA (8/20 $\mu$ s)	20 kA (8/20 $\mu$ s)	10 kA (8/20 $\mu$ s)	10 kA (8/20 $\mu$ s)	20 kA (8/20 $\mu$ s)	10 kA (8/20 $\mu$ s)
MCOV	180 Vac (L-N)	180 Vac (L-N)	275 Vac (L-N)	180 Vac (L-N)	320 Vac (L-N)	420 Vac (L-N)	275 Vac (L-G)	550 Vac (L-G)
Voltage Protection Rating (VPR)	L-N	700	700	1000	700	1200	1500	-
	L-G	1200	-	1500	-	-	-	1000
	L-L	-	1200	-	1200	2000	2500	1800
	N-G	600	-	700	-	-	-	-
Connection	Parallel							
Operating Frequency	50/60 Hz							
Surge Capacity per Mode	50 kA							
Surge Capacity per Phase	50 kA							
Maximum Discharge Surge Current (8/20 $\mu$ s)	50 kA							
IEEE Location	C-High, B-Medium							
UL Location	Type 1 or Type 2							
Fault Rating (SCCR)	200 kA							
Response Time	<1 ns							
<b>Mechanical</b>								
Dimensions - H x W x D	4.5" x 3.6" x 2.5" (11.43 cm x 9.14 cm x 6.17 cm)							
Weight (Max) lb, kg	1.3 lbs / 0.59 kg							
Lug Range	None							
Lead Length	$\leq$ 1.5' (recommended)							
Wire Gauge	16" (0.4m) #12 AWG integral leads provided							
Breaker Connection	30 A (recommended)							
<b>Environmental</b>								
Humidity (noncondensing)	5% to 95%							
Operating Temperature	-40°C to +85°C							
Operating Altitude	Up to 12,000 feet							
Enclosure Type	NEMA 4X							

## HOW TO ORDER

LEA by Transtector offers our customers a variety of channels to fit their network and delivery requirements:

- Direct from Transtector-contact our customer service team at +1.208.772.8515 or toll free at +1.800.882.9110 for technical support, unit pricing and availability.
- Distribution Partners: Our US and Canada distribution partners have the full line of SP 50 series products available for your use. Contact information can be found on our website under partners at [www.transtector.com](http://www.transtector.com).
- Amazon.com: When availability is critical to your project, view a select line of SP 50 series products on [amazon.com](http://amazon.com). Each product is available to ship within 24 hours and offers free shipping at list price.